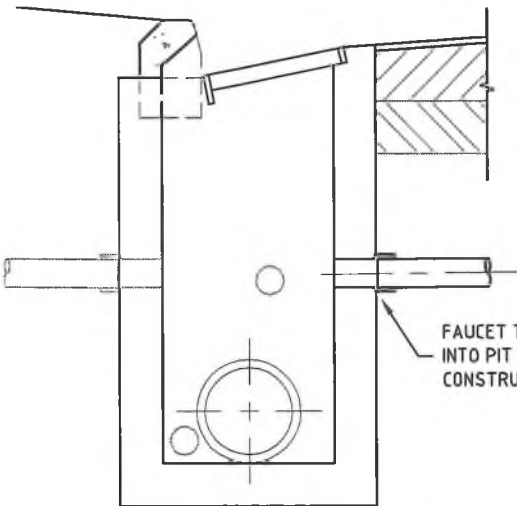


**OUTFALL DIRECT TO PIPE**  
(UNDER ROAD PAVEMENT)

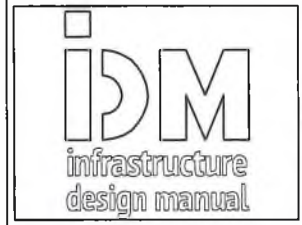


**OUTFALL DIRECT TO DRAINAGE PIT**  
(STREET DRAINAGE)

**NOTES:**

1. 20mm CLASS 3 F.C.R. BACKFILL TO BE USED UNDER ROAD PAVEMENT.
2. CONCRETE KERB TO BE STAMPED WHEN CURING WITH THE LETTER 'D' ADJACENT THE HOUSE DRAIN CONNECTION POINT.

ALL MEASUREMENTS IN MILLIMETRES



**HOUSE DRAIN UNDER ROAD PAVEMENT**  
Infrastructure Design Manual Standard Drawings  
A copy of the Infrastructure Design Manual can be viewed on the Design Manual website  
[www.designmanual.com.au](http://www.designmanual.com.au)

LAST UPDATED 30/01/2013  
**SD 510**  
NOT TO SCALE